

Bellagio

*High performance and style
defines superior value.*





Bellagio

Bellagio is a popular scenic point situated on a promontory overlooking beautiful Lake Como in Italy. The area is renowned for the production of fine handicrafts, like silk products, blown glass and handmade shoes.

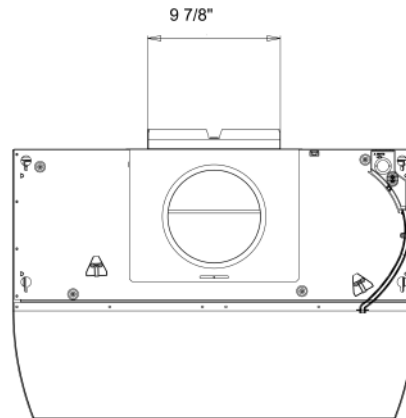
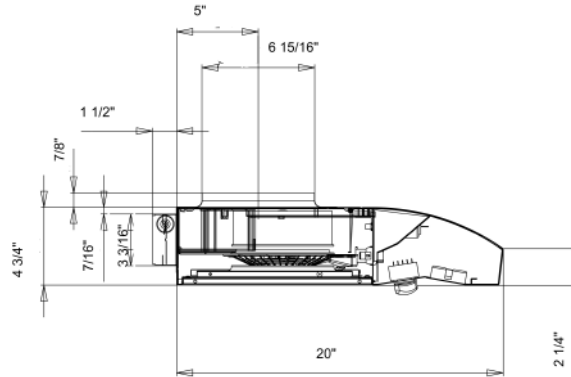
Introducing the ventilation hoods that really clear the air.

At Eurotech, we specialize in the technology of clean. Literally. It's all we do. Clean dishes, clean clothes and, now, clean air. Our new ventilation hoods are the perfect examples. They feature the industry's most advanced technology to clear the air in your kitchen – and throughout your home.

Eurotech hoods work smartly, efficiently, quietly and, most of all, cleanly to remove cooking fumes, heat and grease from the air before they can permeate your upholstery, clothes, curtains and carpet. In fact, we're so committed to cleanliness that we've made the hoods themselves easy to clean. Ultra-efficient grease filters and seamless construction make sure of that.

So, you want clean? You want Eurotech.

Eurotech ventilation hoods. Clean by design.



Available in 30" and 36" widths

Colors: Stainless Steel, 30" only - Black and White

400 CFM fan

Excellent quietness

Two dishwasher-safe filters

Two 20-watt halogen lights

Four speed fan

Optional charcoal filter kit

Ducted or *Ductless

Covered by the Guardian Warranty:

1 Year Parts & Labor

3 Year Parts (Controls & Motors)

MATERIALS NEEDED

Materials Included With Hood

- Hood canopy Assembly with light bulbs and round metal transition installed.
- Rectangular metal transition with backdraft dampers.
- Use and Care/Installation manual
- Filters
- Mounting screws

*requires optional charcoal filter kit
30" = 2 each of # EVBEL30CF kits
36" = 2 each of # EVBEL36CF kits

 **Eurotech**

www.eurotechappliances.com

P.O. Box 851805 • Richardson, TX 75085-1805

Copyright © 2005 AM Appliance Group. Eurotech is a division of the AM Appliance Group. Eurotech reserves the right to vary the model specifications at any time. All facts were accurate at time of printing. Before purchasing any appliance, read energy cost and efficiency information at your retailer.